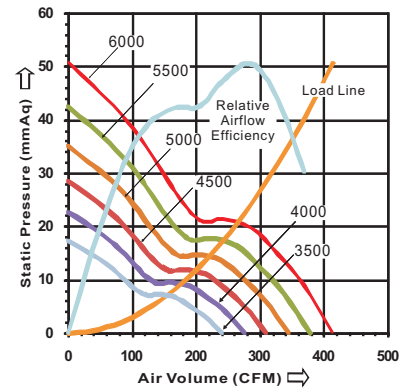
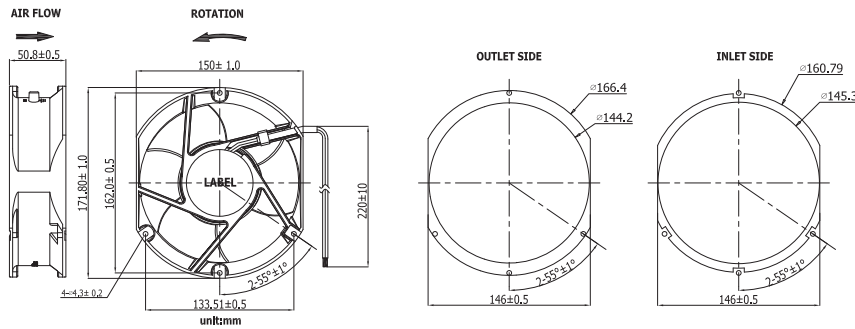


**172x150x51mm (6.77x5.91x2.00in) - 3 blade**



Bearing System— 2 Ball Bearing,  
Life Expectancy--- Ball 100000hrs @ 4500RPM @ 30°C  
Frame----- Aluminum  
Impeller----- Thermoplastic PBT+15% GF, UL94-V0  
Lead Wire----- UL 1007, AWG 22, 220±10mm, Red(+), Black(-)  
Protection----- Locked rotor protection  
IP Grade ----- IP51, IP54, IP56, IP67



Dim: 450x380x360mm  
N.W.: 15.6 kgs  
G.W.: 17.9 kgs  
Q'TY: 20 pcs



FUNCTIONS	PART NUMBER	RATED (VDC)	LABEL CURRENT	ACTUAL CURRENT	POWER (WATTS)	SPEED (RPM)	AIRFLOW (CFM)(m³/min)	PRESSURE (mmAq)(In H²O)	NOISE (dBA)	WEIGHT (Q'TY/CTN)
1a:IR 1b:AS 2a:FG 2b:RD 2c:RDb 2d:LD 3a:VPWM 3b:IPWM 3c:PPWM 5a:TPWM 5b:RPWM 6:CL 7a:CS	P1751H12BALAxy-3	12 (08~14)	3.200	3.000	36.00	4500	310.45 8.79	28.40 1.12	62.70	781g (20pcs)
	P1751M12BALAxy-3		2.600	2.400	28.80	4000	275.95 7.81	22.44 0.88	59.60	
	P1751L12BALAxy-3		1.700	1.500	18.00	3500	241.46 6.84	17.18 0.68	57.10	
	P1751Z24BALAxy-3	24 (15~27)	4.000	3.300	79.20	6000	413.93 11.72	50.48 1.99	70.10	781g (20pcs)
	P1751Y24BALAxy-3		2.800	2.500	60.00	5500	379.44 10.74	42.42 1.67	68.00	
	P1751X24BALAxy-3		2.200	2.000	48.00	5000	344.94 9.76	35.06 1.38	65.20	
	P1751H24BALAxy-3	48 (36~57)	1.600	1.500	36.00	4500	310.45 8.79	28.40 1.12	62.70	781g (20pcs)
	P1751M24BALAxy-3		1.260	1.100	26.40	4000	275.95 7.81	22.44 0.88	59.60	
	P1751L24BALAxy-3		0.850	0.750	18.00	3500	241.46 6.84	17.18 0.68	57.10	
	P1751Z48BALAxy-3	48 (36~57)	2.000	1.680	80.64	6000	413.93 11.72	50.48 1.99	70.10	781g (20pcs)
	P1751Y48BALAxy-3		1.400	1.300	62.40	5500	379.44 10.74	42.42 1.67	68.00	
	P1751X48BALAxy-3		1.050	0.950	45.60	5000	344.94 9.76	35.06 1.38	65.20	
	P1751H48BALAxy-3		0.800	0.730	35.04	4500	310.45 8.79	28.40 1.12	62.70	
	P1751M48BALAxy-3		0.600	0.520	24.96	4000	275.95 7.81	22.44 0.88	59.60	
	P1751L48BALAxy-3		0.420	0.370	17.76	3500	241.46 6.84	17.18 0.68	57.10	

**Remark:**

- Part no. suffix: "xy"=Function detail or "x"=Function number. and "y"=customer ID
- P series - Multifunction Extra High Performance series:  
Uses a single coil differential type drive with higher efficiency and performance, for higher power demanding applications offering the complete line of functions.